



# ECHLIN®

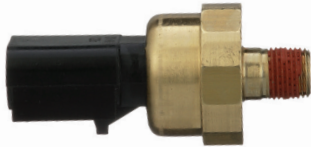
## OIL PRESSURE SWITCHES

### WHAT'S IN YOUR BOX?

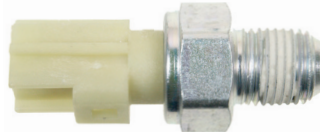
Designed, manufactured and tested at our vertically-integrated facility for unmatched quality.

NAPA® Echlin® oil pressure switches provide expanded coverage for import and domestic applications. Designed and manufactured to exacting specifications, oil pressure switches undergo rigorous testing to ensure consistent performance and a long service life.

What's inside the NAPA® Echlin®... advanced engineering, extensive testing and over 100 years of experience. What's in your box?



NAPA® Echlin® OP6185  
Chrysler/Dodge (2017-99)



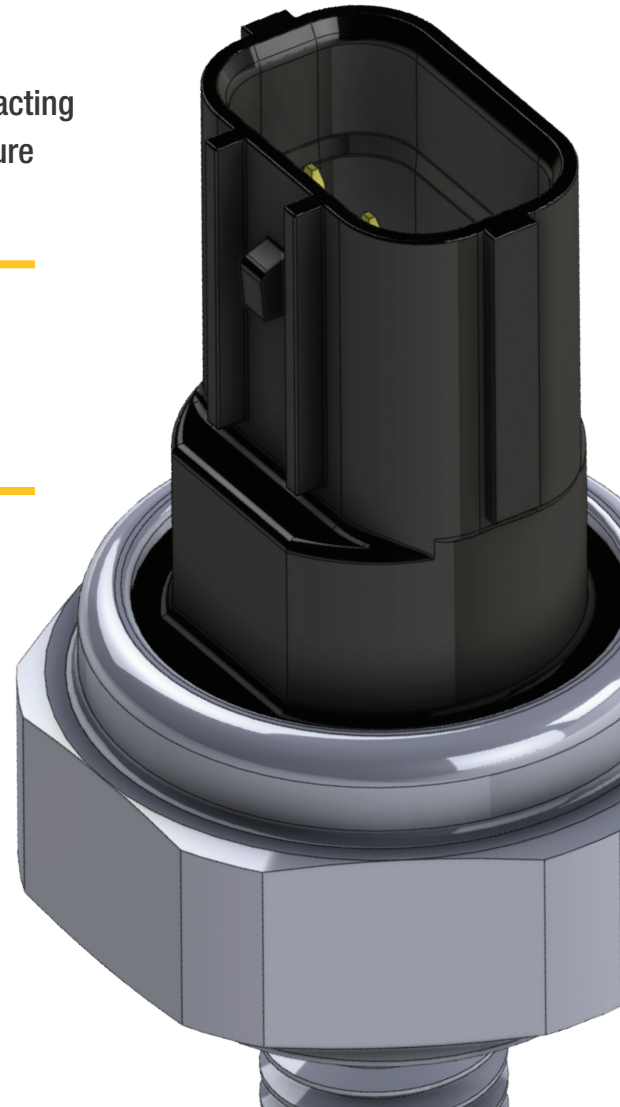
NAPA® Echlin® OP6889  
Ford (2018-98)



NAPA® Echlin® OP6971  
Chevy/GMC (2019-09)  
Engine Oil Pressure Filter included



NAPA® Echlin® OP6885  
Mazda (2015-03)

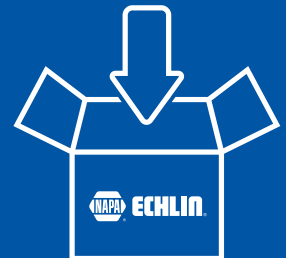


**500+**  
**SKUs**

NAPA® Echlin® offer more than 500 oil pressure switches for import and domestic applications

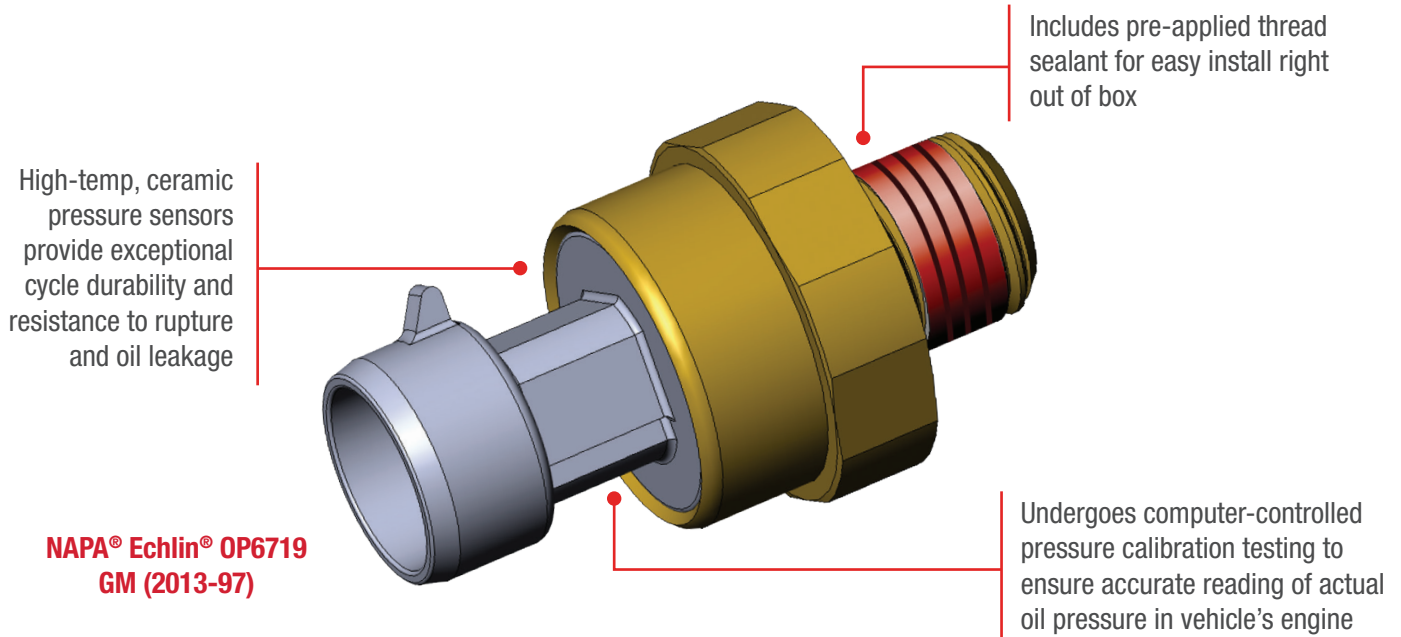


Oil pressure switches are manufactured in IATF 16949-certified facilities in North America



NAPA® Echlin® includes the engine oil pressure filter with select GM oil pressure switches where needed

# NAPA® Echlin® Oil Pressure Switches include features that make your job a little easier.



## What's behind our Oil Pressure Switch is as important as what's inside.

NAPA® Echlin® oil pressure switches are manufactured in our IATF 16949 quality-certified facility in Independence, Kansas. This plant is also ISO 14001 (environmental) certified and recycles fluids, metals and all other reusable materials.

Our facility is vertically-integrated, so all switches and sensors are designed, engineered, manufactured, and tested at the same location. This means you can always count on NAPA® Echlin® oil pressure switches to deliver precise, repeatable performance.

