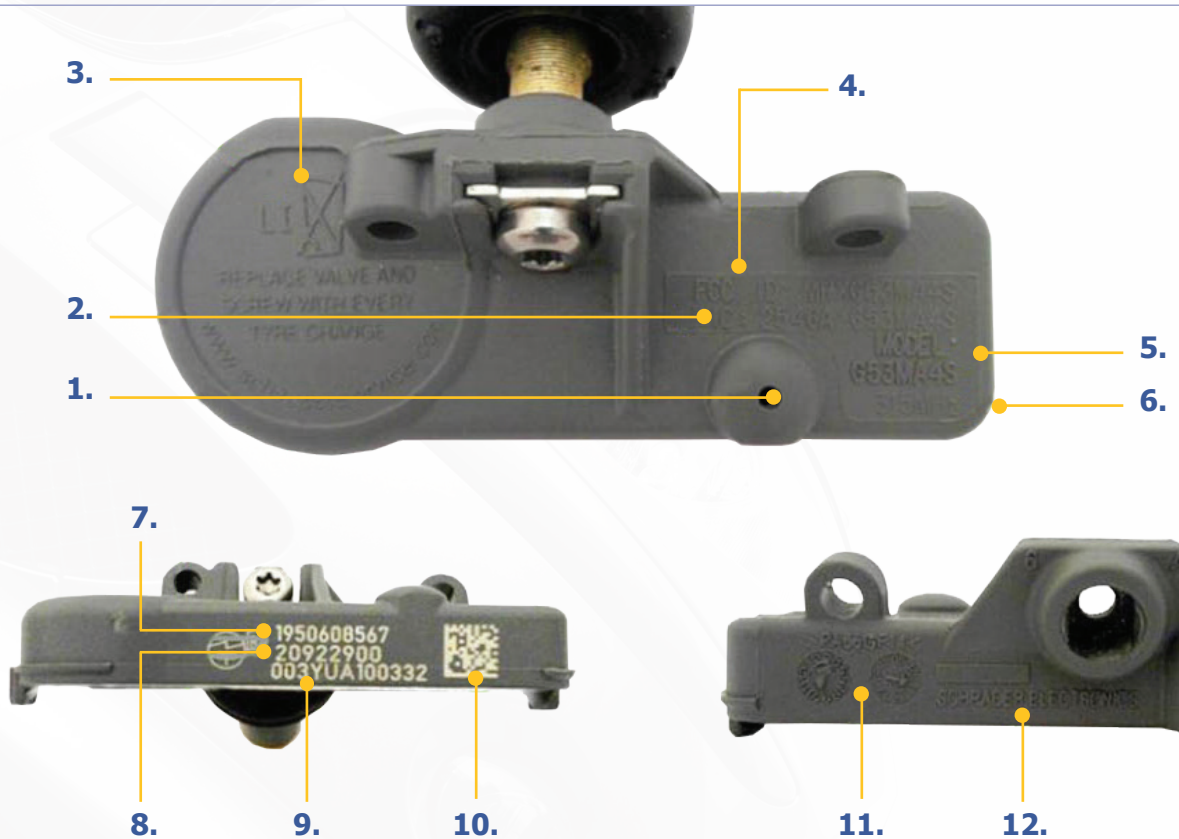




TPMS Marking Meanings

Is That the Sensor ID or OE Part Number?

Most technicians and do-it-yourselfers know what TPMS stands for. But the markings on TPMS sensors are another story. Below is a cheat sheet that identifies twelve markings on TPMS sensors and their meanings, so you'll always have a reference during TPMS jobs.



- 1. Opening for pressure and temperature
- 2. Industry Canada ID
- 3. Universal Do Not Trash symbol (Li Battery)
- 4. Federal Communications Commission ID
- 5. Model number
- 6. Frequency Range

- 7. Sensor Identification Number
- 8. Original Equipment part number
- 9. Technical Regulations Conformity Certification
- 10. QR code (Quick Response Code)
- 11. Manufacturing date
- 12. Sensor Manufacturer

